

Leva 150mm Pillar Tap

LEV150302
LJV150302

The Leva range combines outstanding quality with functional, beautiful design. For easy palm and wrist activated tapware, the LEVA 80 series delivers an extensive choice with greater control, particularly for arthritis sufferers. For accessible applications LEVA also delivers the benefits of easier reach, operation and control

FEATURES

- Ergonomic sleek design
- Robust construction for superior performance
- Unique handle fixing delivers superior strength and durability
- Concealed pressure compensating flow controlled aerator for a clean look and water efficiency
- 3 Star WELS rating as standard
- Clear identification on all lever handles with blue, yellow or red coloured indicator collars*
- Heavy duty Hydroseal jumper valves for improved life in heavy duty applications
- Product comes standard in bright chrome, and can be ordered satin chrome or colour powder coat finishes

OPTIONS

- Laminar flow option for healthcare applications
- 5 Star (5.9 lpm) WELS rating
- Choose between Ceramic Disc or Jumper Valve
- Satin Chrome or colour powder coated options available

* Blue supplied as standard specify colour when ordering



Product Codes

LEV150302 Leva 150mm Pillar Tap ¼ Turn Ceramic Disc
LJV150302 Leva 150mm Pillar Tap ¼ Turn Jumper Valve

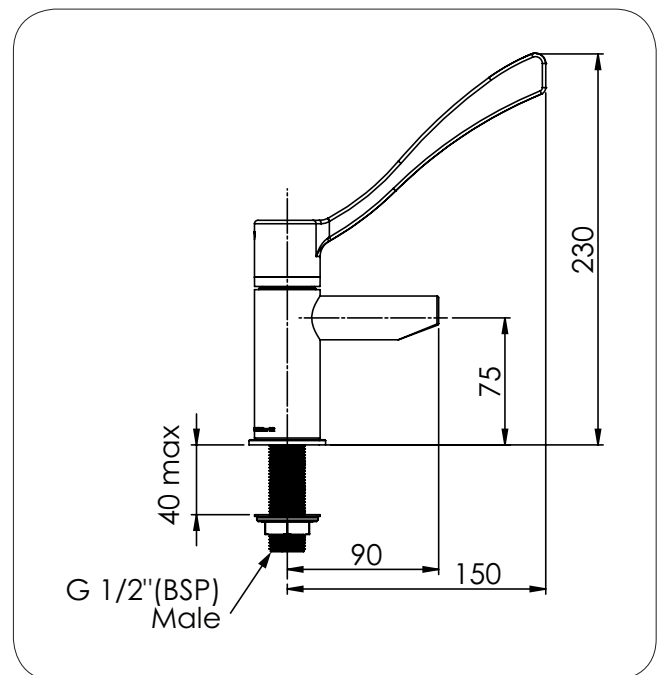


Technical Information

Working Pressure Range Ceramic Disc	50-800kPa 500kPa Max (PCA)*
Working Pressure Range Jumper Valve	30-1200kPa 500kPa Max (PCA)*
Maximum Working Temperature*	Ceramic Disc - 85°C Jumper Valve - 95°C

*Enware products are to be installed in accordance with the Plumbing Code of Australia and AS/NZS3500.
Thermostatic mixing valves may be required.
Reference should also be made to the Australasian Health facility Guidelines (Aust-HFG), ABCB Regulations and Local Building Codes when considering the choice of, and the installation of these products.

NOTE: Enware Australia advises:
1. Due to ongoing Research and Development, specifications may change without notice.
2. Component specifications may change on some export models.
3. Refer to Warranty Statement for Warranty details www.enware.com.au/warranty



Version: Aug 17

Call 1300 369 273
www.enware.com.au

Enware Australia Pty Limited
9 Endeavour Rd Caringbah NSW 2229 Australia
Ph: 02 8536 4000 Fax: 02 8556 4055

